

TECHNICAL SPECIFICATIONS FOR **ERGODRIVE** TAKE-UP INSTALLATION
SULZER loom specs

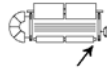
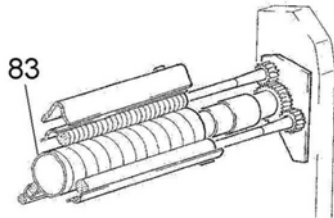
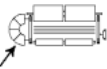
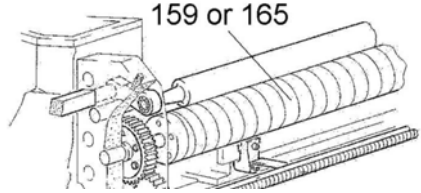

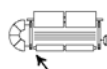
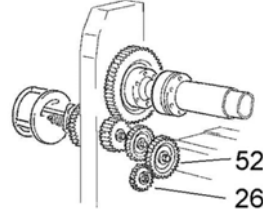
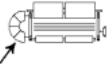
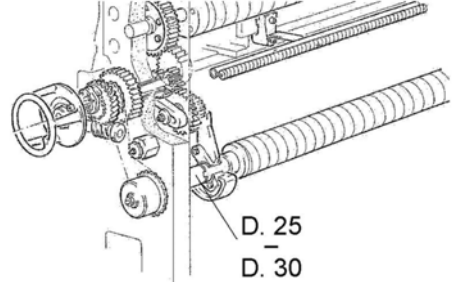

CUSTOMER:
.....
.....
.....
.....

AGENT:
.....
.....
.....
.....


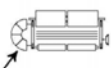

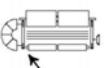

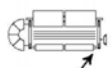
LOOM: **SULZER** YEAR: SERIAL N°:

TYPE and WMK:		VERSION:		LOOM WIDTH:			
<input type="checkbox"/>	TW11 SS	<input type="checkbox"/>	Tappet cams (EP)	<input type="checkbox"/>	190 (73")		
<input type="checkbox"/>	TW11 7	<input type="checkbox"/>	Dobby (SP)	<input type="checkbox"/>	220 (85")		
<input type="checkbox"/>	PU 9 911 302 039	<input type="checkbox"/>	Automatic dobbie (SPE)	<input type="checkbox"/>	280 (110")		
<input type="checkbox"/>	PU 9 911 302 177	Fill also page 3 (SPE) if dobbie is present		<input type="checkbox"/>	330 (130")		
<input type="checkbox"/>	PU 9.2			<input type="checkbox"/>	360 (143")		
<input type="checkbox"/>	P7100 9.3	<input type="checkbox"/>	Jacquard (JM)	<input type="checkbox"/>	390 (153")		
<input type="checkbox"/>	P-Lean 20 – 21	Fill also page 4 (JM) if Jacquard is present		<input type="checkbox"/>	430 (168")		
<input type="checkbox"/>	P7150 20 – 21			<input type="checkbox"/>	460 (183")		
<input type="checkbox"/>	P7200			<input type="checkbox"/>	540 (213")		
<input type="checkbox"/>	P7250			<input type="checkbox"/>	560 (220")		
3PH POWER SUPPLY:	 V	<input type="checkbox"/> 50 Hz	<input type="checkbox"/> 60 Hz			
LOOM SPEED RPM:		MIN.	MAX.				
WEFT DENSITY /CM:		MIN. PPCM	MAX. PPCM	/INCH:	MIN. PPI MAX. PPI		
YARN TYPE:		<input type="checkbox"/> COTTON	<input type="checkbox"/> WOOL	<input type="checkbox"/> PURE SILK	<input type="checkbox"/> SYNTHETIC	<input type="checkbox"/> POLYPROPYLENE	<input type="checkbox"/> other
WARP COUNT:		from	to				
WEFT COUNT:		from	to				
N° OF WARP ENDS:			MAX. TENSION PER END cN:				
WEAVING PATTERN:		<input type="checkbox"/> 1/1	<input type="checkbox"/> 2/1	<input type="checkbox"/> 3/1	<input type="checkbox"/> 4/1	<input type="checkbox"/>	
EXISTING WARP LET-OFF:		<input type="checkbox"/> ERGOTRON Tendilene	<input type="checkbox"/> ERGOTRON KAERG	<input type="checkbox"/> ERGOTRON ERGODRIVE	<input type="checkbox"/> other		
		<input type="checkbox"/> SULZER Mechanical	<input type="checkbox"/> SULZER KSA	<input type="checkbox"/> SULZER KAX			
WHIPROLL TYPE:		<input type="checkbox"/> NORMAL	<input type="checkbox"/> NORMAL WITH FIXED ROLLER	<input type="checkbox"/> TORSION BAR			

TECHNICAL SPECIFICATIONS FOR **ERGODRIVE** TAKE-UP INSTALLATION SULZER loom specs

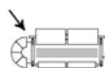

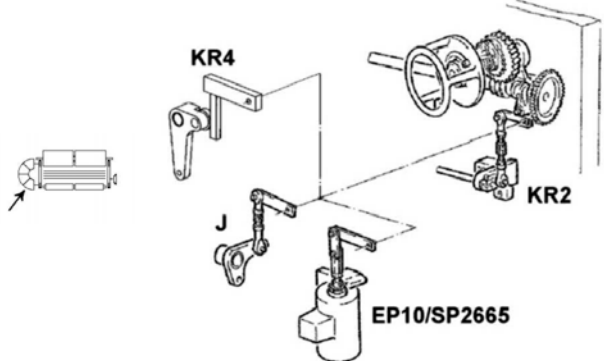
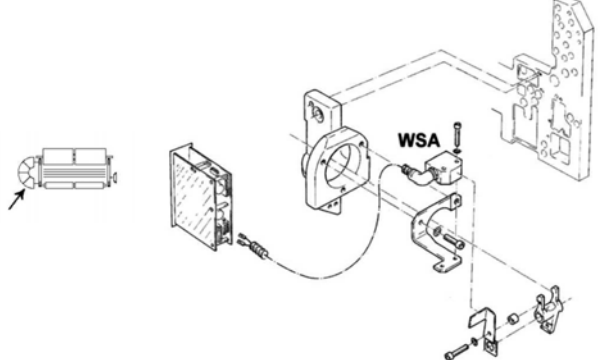
TAKE-UP ROLLER MM:	<input type="checkbox"/> 83  
	<input type="checkbox"/> 159  
	<input type="checkbox"/> 165 
TAKE-UP GEARS:	<input type="checkbox"/> 26:52  
BATCHING CLAMP MM:	<input type="checkbox"/> 25  
<input type="checkbox"/> 30 	D. 25 D. 30
LUBRICATION:	<input type="checkbox"/> centralized <input type="checkbox"/> manual
BATCHING ROLLER:	<input type="checkbox"/> on the loom <input type="checkbox"/> separate

In order to make proper installation need to have at least the following photos:

PHOTO 1:  	PHOTO 2:  	PHOTO 3:  
-----------------------------------------------------------------------------------------------------------------------------------------------------------------------------------------	-----------------------------------------------------------------------------------------------------------------------------------------------------------------------------------------	---------------------------------------------------------------------------------------------------------------------------------------------------------------------------------------------







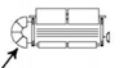
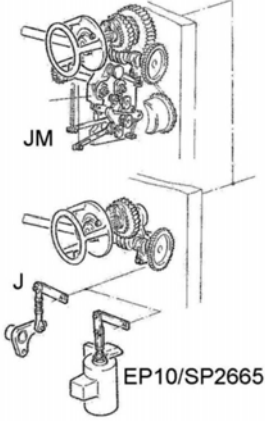
TECHNICAL SPECIFICATIONS FOR **ERGODRIVE** TAKE-UP INSTALLATION **SULZER loom specs**

Automatic Dobby (SPE)

<p>AUTOMATIC DOBBY:</p>	<input type="checkbox"/> STÄUBLI 2665.001  	
	<input type="checkbox"/> STÄUBLI	
	<input type="checkbox"/> KAISER	
<p>WSA CRAMMING DEVICE:</p>	<input type="checkbox"/> NO	<input type="checkbox"/> EP10 /SP2665 <input type="checkbox"/> KR2 <input type="checkbox"/> KR4 <input type="checkbox"/> J 
<p>WSA CRAMMING SENSOR:</p>	<input type="checkbox"/> NO	<input type="checkbox"/> YES 

TECHNICAL SPECIFICATIONS FOR **ERGODRIVE** TAKE-UP INSTALLATION **SULZER loom specs**

Jacquard (JM)

<p>JACQUARD:</p>	<input type="checkbox"/> STÄUBLI JC4  	
	<input type="checkbox"/> STÄUBLI JC5  	
	<input type="checkbox"/> BONAS IBJ2 	
	<input type="checkbox"/> GROSSE EJP-2HS 	
<p>WSA CRAMMING DEVICE:</p>	<input type="checkbox"/> NO	<input type="checkbox"/> EP10 /SP2665 <input type="checkbox"/> J  <input type="checkbox"/> JM 
<p>WSA CRAMMING SENSOR:</p>	<input type="checkbox"/> NO	<input type="checkbox"/> YES 